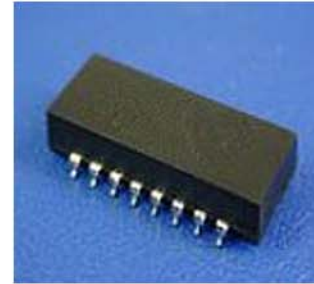


FEATURES

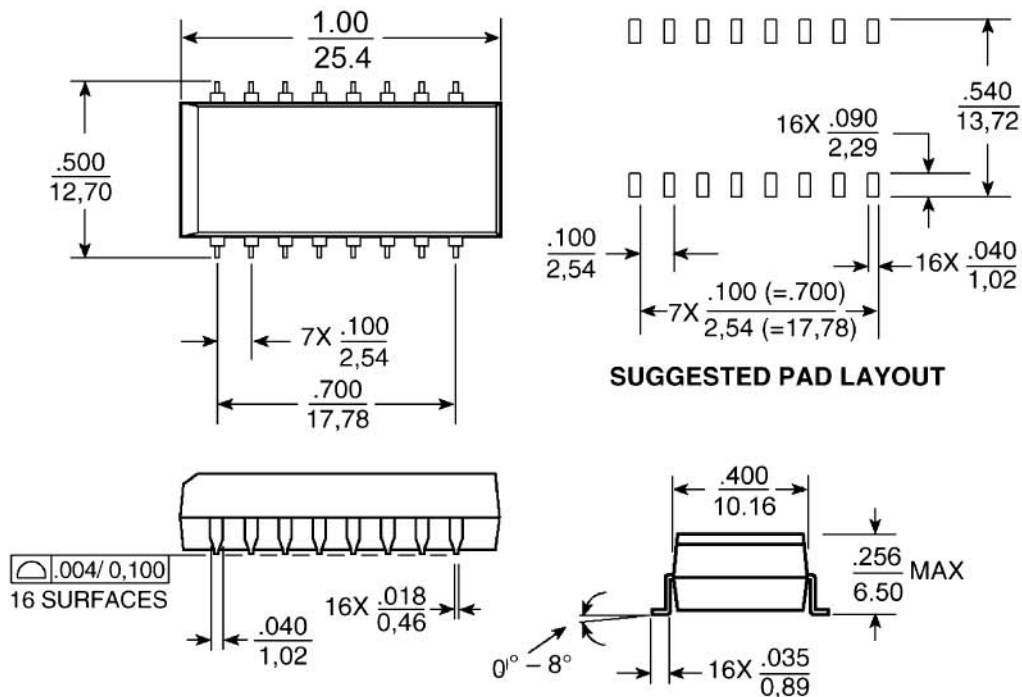
- Meets all IEEE 802.3 and ANSI X3.236 standards including 350 μ H OCL with 8 mA bias.
- IC grade transfer-molded package withstands 235°C IR reflow.
- Patented Interlock Base construction for high reliability.
- Recognized by UL 1950.



ELECTRICAL SPECIFICATIONS @25°C -Operating temperature 0°C TO 70°C

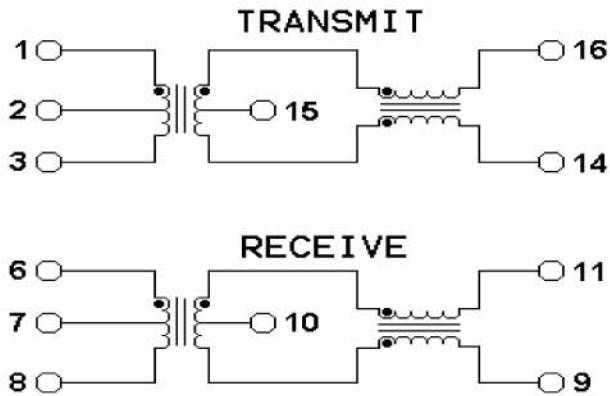
Part Number	Turns Ratio ($\pm 5\%$)		Insertion Loss (dB MAX)	Return Loss (dB MIN)			Crosstalk (dB MIN)			Hipot (V _{rms} MIN)
	Receive	Transmit		100KHz-100MHz	30 MHz	60 MHz	100 MHz	30 MHz	60 MHz	
ST-13F40	1:1	$\sqrt{2}$:1	-1.0	-16	-12	-10	-45	-38	-34	1500
ST-13F41	1:1	$\sqrt{2}$:1	-1.0	-16	-12	-10	-45	-38	-34	1500
ST-13F42	1:1	$\sqrt{2}$:1	-1.0	-16	-12	-10	-45	-38	-34	1500
ST-13F43	1:1	$\sqrt{2}$:1	-1.0	-16	-12	-10	-45	-38	-34	1500
ST-13F44	1:1	1.25:1	-1.0	-16	-12	-10	-45	-38	-34	1500
ST-13F45	1:1	1: $\sqrt{2}$	-2.0	-18	-12	-11	-45	-38	-34	1500
ST-13F46	1:1	$\sqrt{2}$:1	-1.0	-16	-12	-10	-45	-38	-34	1500
ST-13F47	1:1	1: $\sqrt{2}$	-2.0	-16	-11	-10	-45	-38	-34	1500
ST-13F48	1:1	1:1	-1.0	-16	-10	-10	-40	-38	-33	1500
ST-13F49	1CT:1CT	2CT:1	-1.0	-16	-12	-12	-35	-35	-32	1500

DIMENSION

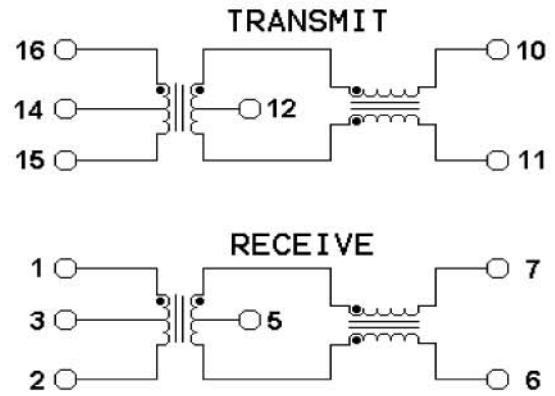


SCHEMATICS

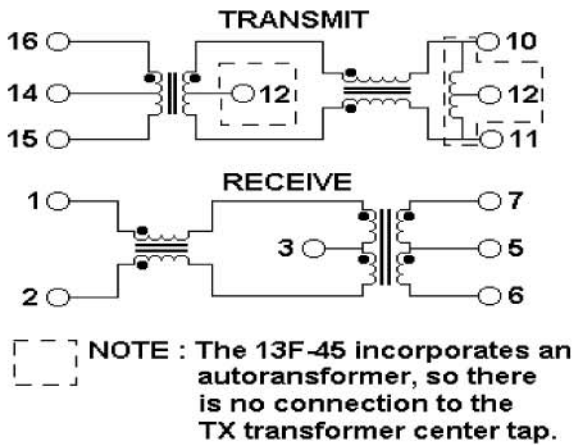
ST-13F40/ST-13F42/ST-13F44/ST-13F46



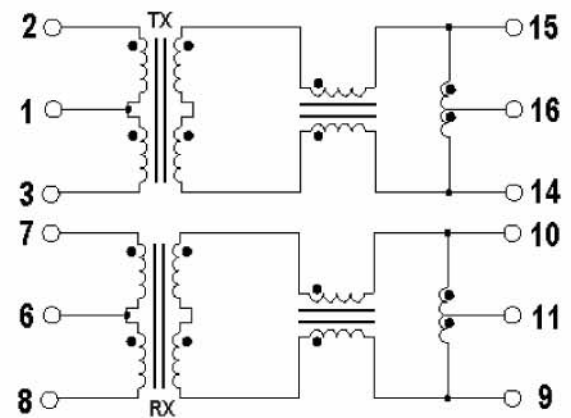
ST-13F41



ST-13F43/ST-13F45/ST-13F47



ST-13F48



ST-13F49

